



# LabFlow Hood Cart

## Underhood Tray Organization



### ORGANIZED STORAGE RIGHT UNDER YOUR HOOD

The **LabFlow Hood Cart** keeps essential supplies directly under your biosafety cabinet or fume hood, organized, accessible, and ready to go. Designed for high-efficiency lab workflows, it eliminates clutter and frustration by giving every tray a designated place. Built entirely from cleanable HDPE and featuring smooth, locking casters, it rolls in easily and stays put when you need it to.

### POINT-OF-USE HOOD STORAGE

- At under 27" tall, keep your supplies and tools accessible directly beneath the work surface.
- Ideal for improving efficiency and reducing workspace mess.

### MODULAR TRAY SYSTEM

- Holds standard LabFlow trays in multiple depths for flexible storage.
- Trays transfer easily between other LabFlow products, including cold storage.

### HIGH VISIBILITY ACCESS

- Open-front design makes tray contents visible at a glance.
- Speeds up supply retrieval and supports fast-paced workflows.

### LAB-GRADE DURABILITY

- HDPE enclosure resists damage, staining, and harsh chemicals.
- Aluminum rails resist corrosion and are easy to clean.
- Wipes down quickly to meet lab hygiene standards.

### LIFETIME GUARANTEE

- Work stress-free, knowing your cart is covered for life.

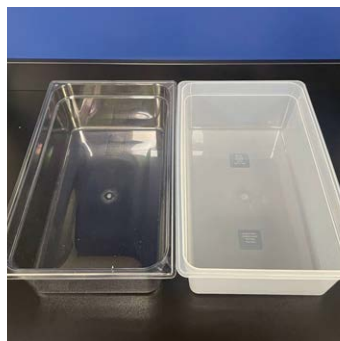
ASK ABOUT OUR  
**DEMO**  
**PROGRAM**

Try it out at your facility.



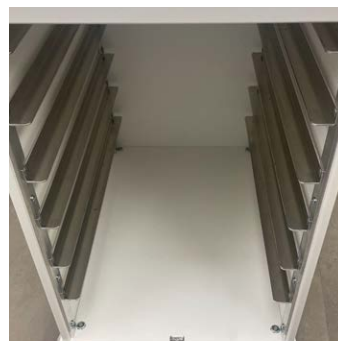
#### Built-In Top Containment

- Use the top for secure & fast tray access.



#### Fits LabFlow Trays

- Receives LabFlow Trays of any depth, size, or material.



#### Flexible Rail System

- Six levels of rails let you accommodate LabFlow Trays of various sizes.



#### Low Profile Casters

- 2" lockable casters let you roll the LabFlow Hood Cart in or out with ease.



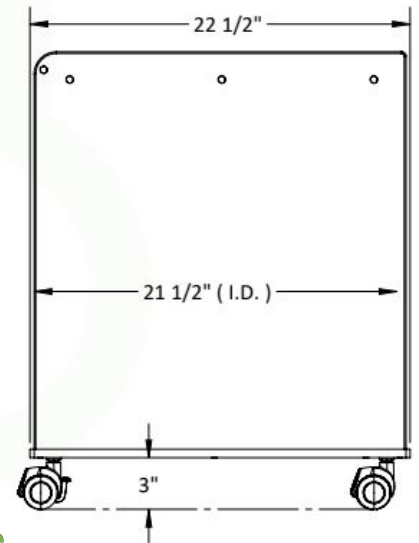
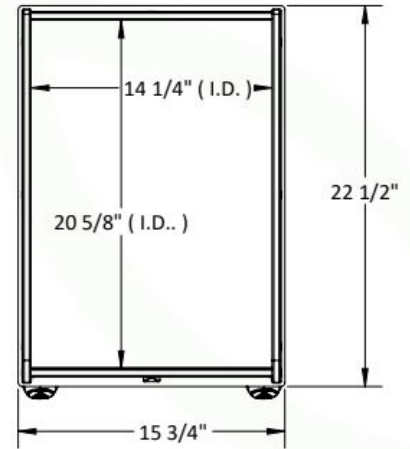
# LabFlow Hood Cart

## Underhood Tray Organization

### MULTIPLE TRAY OPTIONS



Material	Cart with 6" Trays	Cart with 4" Trays	Cart with 2.5" Trays
Polycarbonate	PN 54096	PN 54097	PN 54098
Polypropylene	PN 54099	PN 54100	PN 54101



- Corrosion Resistant
- Short Lead Times
- Ships Assembled
- Made in the U.S.A
- 100% Lifetime Guarantee

### ADDITIONAL ACCESSORY TRAYS

Polycarbonate



Polypropylene



PN	Description
101172	Polycarbonate 2.5"
101167	Polycarbonate 4"
101120	Polycarbonate 6"

PN	Description
101171	Polypropylene 2.5"
101126	Polypropylene 4"
101170	Polypropylene 6"

