



Bedside Cart Series



BUILT FOR ORGANIZATION, SECURITY, AND DURABILITY

TrippNT's Bedside Cart is used to protect and store patient's belongings. The top of the cart is inset to create a tray to secure items like phones, drinks, and other possessions that need to be frequently accessed.

Durable & Hygienic

- Enjoy lightweight but strong HDPE construction.
- Easily disinfect and clean all surfaces.

Personal Storage

- Utilize the lockable drawer and bulk item compartment to store patient items in a safe place.

Easy to Grip Handle

- The handle cut out allows for quick and smooth handling when cart is in motion.

LIFETIME GUARANTEE

- Work stress-free, knowing your cart is covered for life.



Four 3-inch Casters

- 2 locking, 2 swivel
- Smooth and easy to move over bumps and thresholds such as elevator gaps.



Spacious Storage

- Lockable drawer and bulk storage space to hold personal items.



Spacious Tray Top

- Store items up top for easy access without fear of things falling off.



Easy-Grab Handle

- Ergonomic, lightweight, and easy to maneuver.



Bedside Cart Series

Lockable Casters

- 4 total 3" casters. 2 swivel and 2 locking.

Tray Top Storage

- Tray top with .5 inch barrier, perfect for phones, books, or other quick access personal items.

CLEANING

- All surfaces can be cleaned with soap and water, isopropyl alcohol or a hospital-grade cleaner.



Corrosion Resistant



Short Lead Times



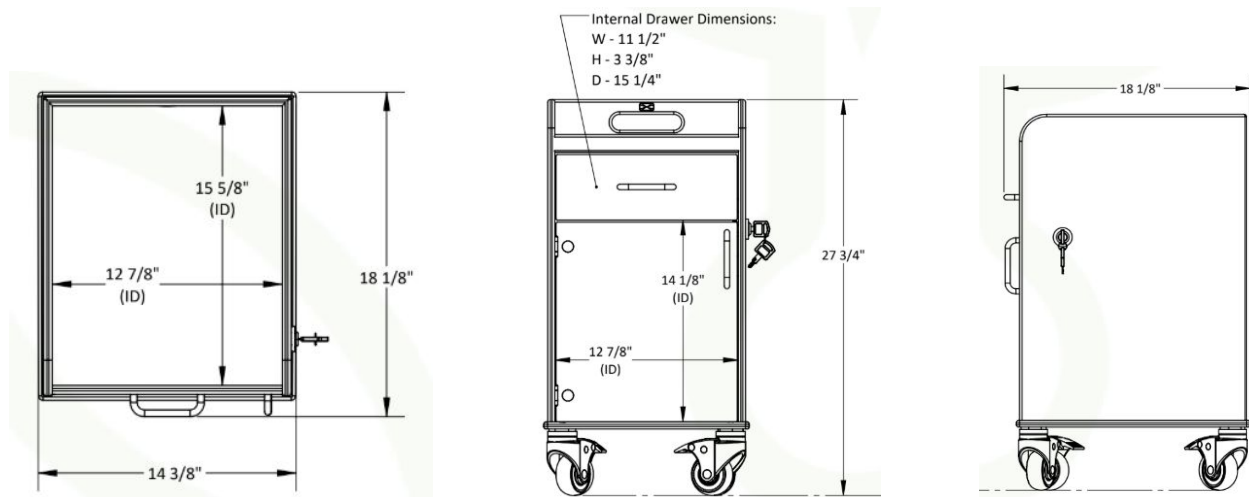
Ships Assembled



Made in the U.S.A



100% Lifetime Guarantee



COLOR OPTIONS



PN: 53405
White



PN: 53406
Almond Beige



PN: 53401
Global Blue



PN: 53407
Black



PN: 53549
Silver Metallic



PN: 53587
Dolphin Gray

ACCESSORIES



PN: 50917
4 Compartment



PN: 50974
6 Compartment



PN: 50975
4 Compartment



PN: 51998
Adjustable