



Core DX Hinged Door Cart

53517



MOBILE STORAGE BUILT FOR ORGANIZATION, SECURITY, AND DURABILITY

The Core DX Hinged Door Cart enhances productivity with smart compartmentalization, secure storage, and fast access to critical supplies. Its corrosion-resistant construction and smooth mobility simplify restocking, cleaning, and inventory control—helping healthcare teams deliver better care and operate more efficiently.

DURABLE & HYGIENIC

- Enjoy lightweight but strong HDPE and ABS construction.
- Easily disinfect and maintain all surfaces.

ORGANIZED STORAGE

- Customize six side shelves for fast access or high-use supplies.
- Maximize storage with three lockable drawers and a bulk storage compartment.

EASY MOBILITY

- Get into tight spaces with smooth casters and built-in easy-grab handles.

LIFETIME GUARANTEE

- Work stress-free, knowing your cart is covered for life.

ASK ABOUT OUR DEMO PROGRAM

Try it out at your facility.



Twin-Wheel Casters

- Smooth and easy to move over thresholds and elevator gaps.
- Lockable.



Spacious Drawers

- Three lockable drawers that each measure 11 ½" wide by 15 ¼" deep by 3 ¾" tall.



Dispensing Shelf

- Easily access gloves or other supplies.



Easy-Grab Handles

- Ergonomic, lightweight, and easy to maneuver.



Core DX Hinged Door Cart

Mobile Supply & Procedure Cart

DRAWERS

- 3 lockable drawers
- Measure 11 1/2" x 15 1/4" x 3 3/8" (WDH)
- Durable ACP interior with HDPE front

BULK STORAGE COMPARTMENT

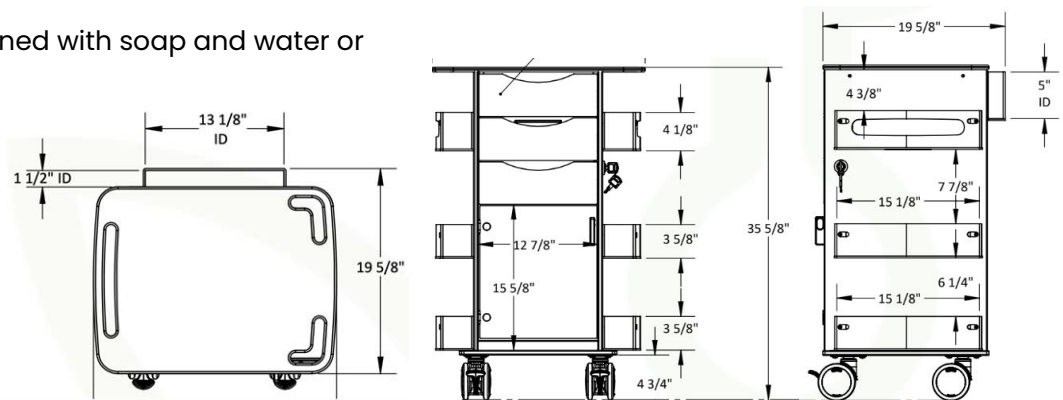
- Impact-resistant and lockable hinged door
- Measures 12 7/8" x 16" x 15 5/8" (WDH)

CHART & TOOL HOLDER

- 11 3/8" x 1 1/2" x 5" (WDH) main compartment, great for documents or charts
- 1 1/2" x 1 1/2" x 5" (WDH) secondary compartment

CLEANING

- All surfaces can be cleaned with soap and water or hospital-grade cleaner.



COLOR OPTIONS



PN: 53562
White Smoked
door



PN: 53518
Almond Beige



PN: 53522
Global Blue



PN: 53529
Black



PN: 53588
Dolphin Gray



PN: 53519
Silver Metallic

ACCESSORIES



PN: 50917
4 Compartment



PN: 50974
6 Compartment



PN: 50975
4 Compartment



PN: 51998
Adjustable