



Extra Wide Compact

Superior under counter or seated storage



EXTRA-WIDE STORAGE BUILT FOR HARSH, HIGH-USE ENVIRONMENTS

This Extra Wide Compact Cart is perfect for clinical, lab, or industrial use where space is tight and cleaning is frequent. Built from corrosion-resistant HDPE, it stands up to disinfectants and harsh conditions. Four full-extension, fully locking drawers keep supplies secure, while quiet, smooth-rolling casters provide effortless mobility—even under stress.

DURABLE & HYGIENIC

- Enjoy lightweight but strong HDPE and ACP construction.
- Easily disinfect and maintain all surfaces.

ORGANIZED STORAGE

- Customize four large drawers for fast access or high-use supplies.

EASY MOBILITY

- Get into tight spaces with smooth casters and built-in easy-grab handles.

LIFETIME GUARANTEE

- Work stress-free, knowing your cart is covered for life.

[ASK ABOUT OUR DEMO PROGRAM](#)

[Try it out at your facility.](#)



Easy lock 3" Caster

- Smooth and easy to move over thresholds and elevator gaps.
- Lockable.



Spacious Drawers

- Four drawers that each measure 25" wide by 15 1/4" deep by 3 3/8" tall.



Fulling locking

- Key lock included
- Optional electronic lock



Drawer organizer ready

- Fits 2 each per drawer
- TrippNT's removable drawer organizers



Extra Wide Compact

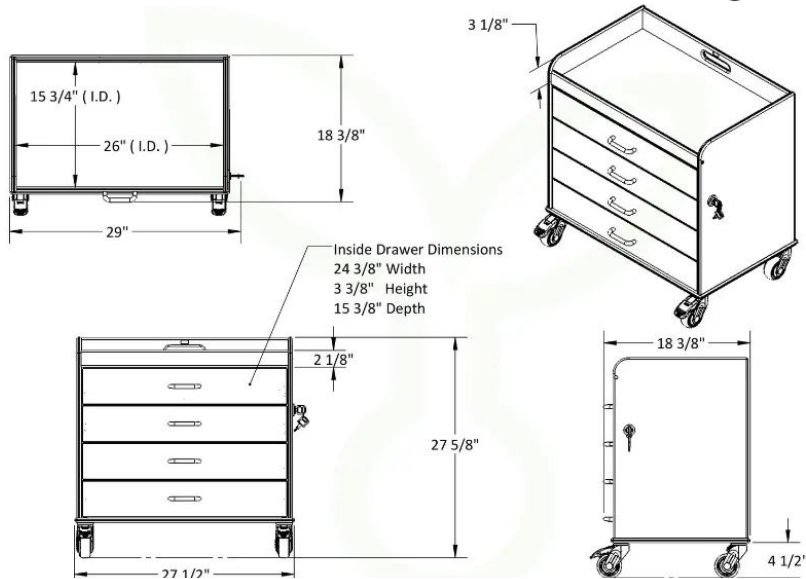
Mobile Supply & Procedure Cart For Healthcare

DRAWERS

- 4 lockable drawers
- Measure 24 3/8" x 15 3/8" x 3 3/8" (WDH)
- Durable ACP interior with HDPE front

CLEANING

- All surfaces can be cleaned with soap and water or hospital-grade cleaner.



COLOR OPTIONS



PN: 51041
White



PN: 51138
Almond



PN: 51131
Blue



PN: 51362
Black



PN: 53591
Dolphin Gray



PN: 51139
Silver Metallic

ACCESSORIES



PN: 50917
4 Compartment



PN: 50974
6 Compartment



PN: 50975
4 Compartment



PN: 51998
Adjustable