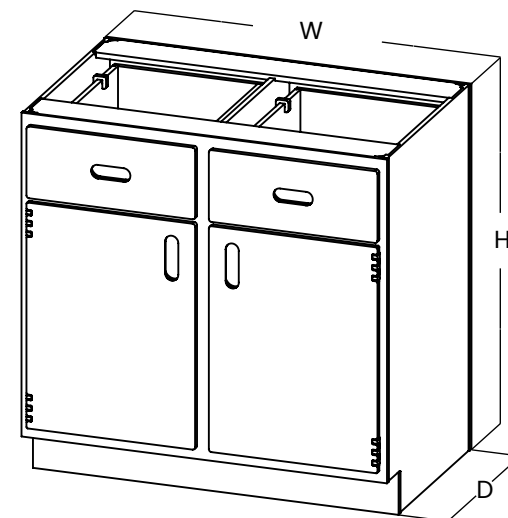


Drawer + Door Base Cabinets

Our combination drawer and door cabinets are versatile solutions that provide flexible organizational options for your lab. They feature multiple sizes and configurations to furnish any space down to precise needs and specifications.



Door + Drawer, Double Width

Part #	Description	Dimensions WHD
53688	Cabinet Base Double Width White Polypropylene Two Drawers and Two Doors and Adjustable Shelf	30" X 35" X 22"
53668	Cabinet Base Double Width White Polypropylene Two Drawers and Two Doors	36" X 29" X 22"
53690	Cabinet Base Double Width White Polypropylene Four Drawers and Door Swings Right with Adjustable Shelf	36" X 35" X 22"
53691	Cabinet Base Double Width White Polypropylene Four Drawers and Door Swings Left with Adjustable Shelf	36" X 35" X 22"
53687	Cabinet Base Double Width White Polypropylene Two Drawers and Two Doors and Adjustable Shelf	42" X 35" X 22"
53686	Cabinet Base Double Width White Polypropylene Two Drawers and Two Doors and Adjustable Shelf	42" X 35" X 22"
53666	Cabinet Base Double Width White Polypropylene Two Drawers and Two Doors	48" X 29" X 22"

For pricing and quotes on LabFit products, contact the TrippNT Sales team:

Email: Sales@TrippNT.com

Phone: 816-792-2604

