

*Tripp***NT**

 mprove Today for  
a Better Tomorrow

# LabFit

## Polypropylene Casework



**Parts and Specifications  
2023-2024**

## LabFit Overview

Polypropylene is a versatile plastic material that offers numerous benefits for controlled environments. Its durability and resistance to corrosion make it a practical choice.

It can endure high temperatures and exposure to various chemicals, making it an ideal option for a range of laboratory and medical applications.

### **Non-Metal Construction**

Featuring a welded and non-metal construction, our Polypropylene casework will never rust or corrode. As a flexible, elastic material, Polypropylene is also resistant to cracking and stress.

### **Resistant to Chemicals and Corrosion**

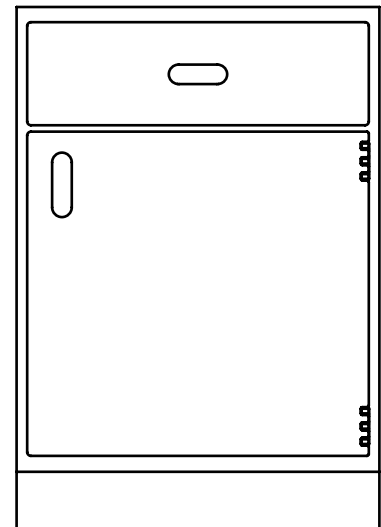
With high resistance to acids, bases, solvents, and other process chemicals, Polypropylene is ideal in harsh environments where regular sterilization is needed.

### **Easy to Clean and Disinfect**

Designed for superior spill containment, these cabinets have high temperature resistance, low moisture absorption, and high tensile strength. Ideal for a wide variety of controlled environments.

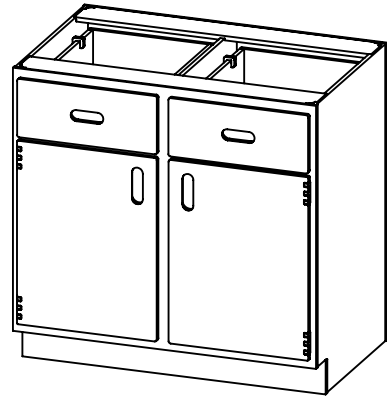
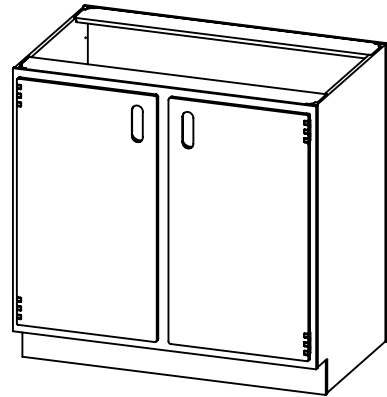
### **Customizable and Easy to Install**

Our cabinets are engineered for adaptability to suit any laboratory, with standard sizes ranging from 18" to 60" wide. This allows for mixing and matching of drawers, doors, and filler panels to fit any environment. Additionally, all standard cabinets ship fully assembled for easy installation.



## LabFit Casework Features

- Chemical Resistance
- Easy to Install
- Integrated Hinge
- Nonmetal Construction
- Large Removable Rear Access Panel on all Cabinets
- Adjustable Shelving
- Quiet Close Drawers
- Constructed From 1/2" Homopolymer Polypropylene
- Industry-leading two year full replacement warranty



For pricing and quotes on LabFit products,  
contact the TrippNT Sales team at

[Sales@TrippNT.com](mailto:Sales@TrippNT.com)

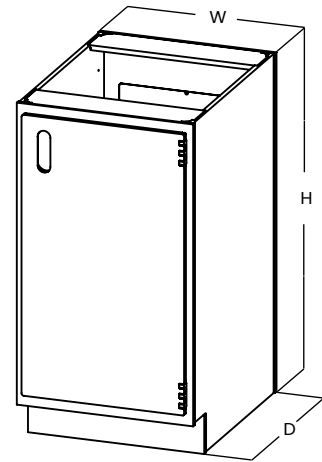
or by phone at

**816-457-1678**



## All-Door Base Cabinets

LabFit's all-door base cabinets provide convenient access to materials in your lab. Integrated Polypropylene hinges come standard on all cabinets, and allow for easy removal of the doors as needed.



### Single Width, One Door

Part #	Description	Dimensions WHD
53670	Cabinet Base Single Width White Polypropylene One Left Hand Door and Adjustable Shelf	18" X 29" X 22"
53669	Cabinet Base Single Width White Polypropylene One Right Hand Door and Adjustable Shelf	18" X 29" X 22"
53678	Cabinet Base Single Width White Polypropylene One Left Hand Door and Adjustable Shelf	18" X 35" X 22"
53677	Cabinet Base Single Width White Polypropylene One Right Hand Door and Adjustable Shelf	18" X 35" X 22"
53671	Cabinet Base Single Width White Polypropylene One Right Hand Door and Adjustable Shelf	24" X 29" X 22"
53694	Cabinet Base Sink Single Width White Polypropylene One Right Hand Door	18" X 35" X 22"
53680	Cabinet Base Single Width White Polypropylene One Left Hand Door and Adjustable Shelf	24" X 35" X 22"
53679	Cabinet Base Single Width White Polypropylene One Right Hand Door and Adjustable Shelf	24" X 35" X 22"



**Corrosion Resistant**



**Easy to Install**

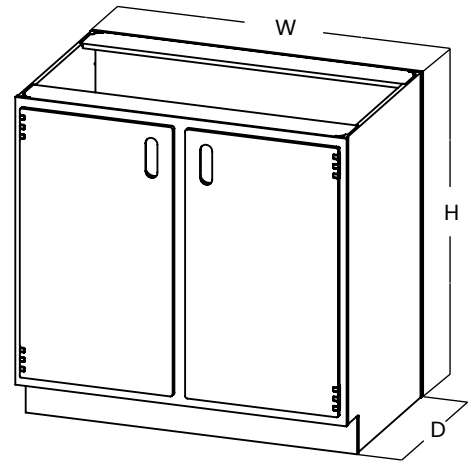


**Made in USA**



# All-Door Base Cabinets

Double width base cabinets come standard with one right facing and one left facing door. Alternate door configurations are available upon customer request.



## Double Width, Two Doors

Part #	Description	Dimensions WHD
53682	Cabinet Base Double Width White Polypropylene with Two Doors and Adjustable Shelf	42" X 35" X 22"
53695	Cabinet Base Sink Double Width White Polypropylene Two Doors	30" X 35" X 22"
53630	Cabinet Base Double Width White Polypropylene with Two Doors and Adjustable Shelf	36" X 35" X 22"
53696	Cabinet Base Sink Double Width White Polypropylene Two Doors	36" X 35" X 22"
53681	Cabinet Base Double Width White Polypropylene with Two Doors and Adjustable Shelf	42" X 35" X 22"
53667	Cabinet Base Double Width White Polypropylene Two Doors and Adjustable Shelf	48" X 29" X 22"
53692	Cabinet Base Double Width White Polypropylene with Left side blind and Right side Door swings Left with Adjustable Shelf	48" X 35" X 22"
53693	Cabinet Base Double Width White Polypropylene with Right side blind and Left side Door swings Right with Adjustable Shelf	48" X 35" X 22"
53659	Cabinet Base Double Width White Polypropylene Two Doors	48" X 35" X 22"



**Industry-Leading  
Warranty**

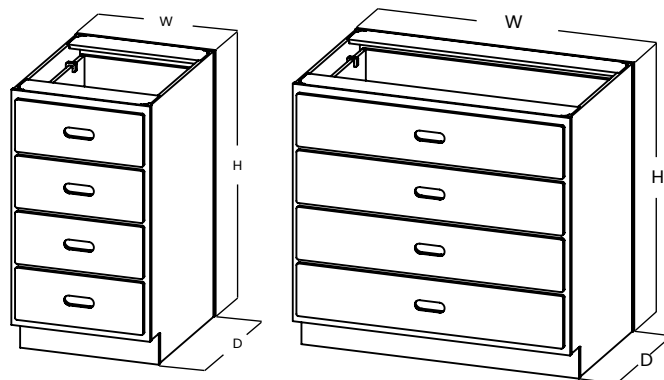


**Fast Lead Times**



## All-Drawer Base Cabinets

Our all-drawer base cabinets allow for superior organization in your lab. All drawers are fully removable and feature soft closing drawer glides.



### Single Width

Part #	Description	Dimensions WHD
53673	Cabinet Base Single Width White Polypropylene with Four Drawers	18" x 29" x 22"
53648	Cabinet Base Single Width White Polypropylene with Four Drawers	18" x 35" x 22"
53651	Cabinet Base Single Width White Polypropylene Four Drawers	24" X 35" X 22"
53674	Cabinet Base Single Width White Polypropylene Four Drawers	36" X 29" X 22"
53652	Cabinet Base Single Width White Polypropylene Four Drawers	36" X 35" X 22"

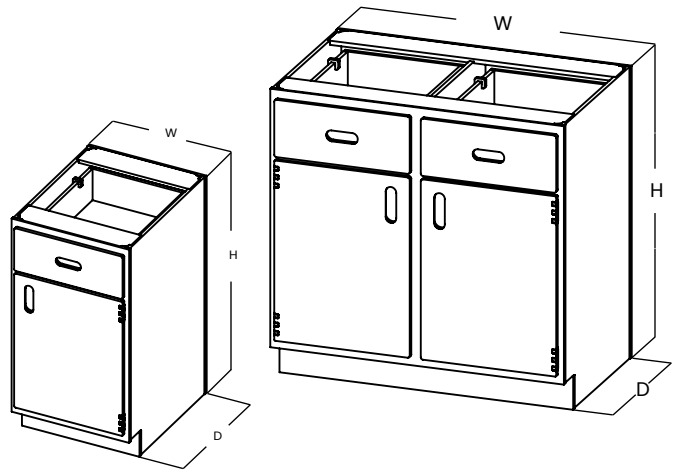
### Double Width

Part #	Description	Dimensions WHD
53685	Cabinet Base Double Width White Polypropylene Eight Drawers	36" X 35" X 22"
53684	Cabinet Base Double Width White Polypropylene Two Small Drawers and Three Large Drawers	36" X 35" X 22"
53683	Cabinet Base Double Width White Polypropylene with Two Doors and Adjustable Shelf	42" X 35" X 22"
53653	Cabinet Base Double Width White Polypropylene Eight Drawers	48" X 35" X 22"
53660	Cabinet Base Double Width White Polypropylene Three Full Width Drawers and Two Half Width Drawers	48" X 35" X 22"



# Drawer + Door Base Cabinets

Our combination drawer and door cabinets are versatile solutions that provide flexible organizational options for your lab. They feature multiple sizes and configurations to furnish any space down to precise needs and specifications.



## Single Width

Part #	Description	Dimensions WHD
53664	Cabinet Base Sink Double Width White Polypropylene Two Doors	48" X 35" X 22"
53675	Cabinet Base Single Width White Polypropylene One Small Drawer and One Right Hand Door and Adjustable Shelf	18" X 32" X 22"
53608	Cabinet Base Single Width White Polypropylene One Drawer and One Left Hand Door and Adjustable Shelf	18" X 35" X 22"
53636	Cabinet Base Single Width White Polypropylene One Drawer and One Right Hand Door and Adjustable Shelf	18" X 35" X 22"
53665	Cabinet Base Single Width White Polypropylene One Drawer and One Right Hand Door	24" X 29" X 22"
53672	Cabinet Base Single Width White Polypropylene One Left Hand Door and Adjustable Shelf	24" X 29" X 22"
53650	Cabinet Base Single Width White Polypropylene One Drawer and One Left Hand Door and Adjustable Shelf	24" X 35" X 22"
53649	Cabinet Base Single Width White Polypropylene One Drawer and One Right Hand Door and Adjustable Shelf	24" X 35" X 22"



**Made in USA**



**Fast Lead Times**

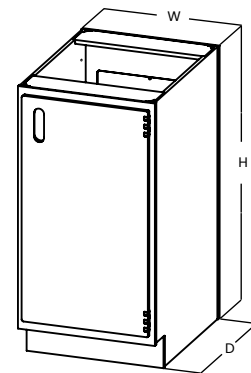


## Door + Drawer, Double Width

Part #	Description	Dimensions WHD
53688	Cabinet Base Double Width White Polypropylene Two Drawers and Two Doors and Adjustable Shelf	30" X 35" X 22"
53668	Cabinet Base Double Width White Polypropylene Two Drawers and Two Doors	36" X 29" X 22"
53690	Cabinet Base Double Width White Polypropylene Four Drawers and Door Swings Right with Adjustable Shelf	36" X 35" X 22"
53691	Cabinet Base Double Width White Polypropylene Four Drawers and Door Swings Left with Adjustable Shelf	36" X 35" X 22"
53687	Cabinet Base Double Width White Polypropylene Two Drawers and Two Doors and Adjustable Shelf	42" X 35" X 22"
53686	Cabinet Base Double Width White Polypropylene Two Drawers and Two Doors and Adjustable Shelf	42" X 35" X 22"
53666	Cabinet Base Double Width White Polypropylene Two Drawers and Two Doors	48" X 29" X 22"

## Sink Base Cabinets

LabFit's Sink Base Cabinets are variants of the standard base cabinets that feature a specialized well for sink installation. Multiple sizes and door configurations are available.



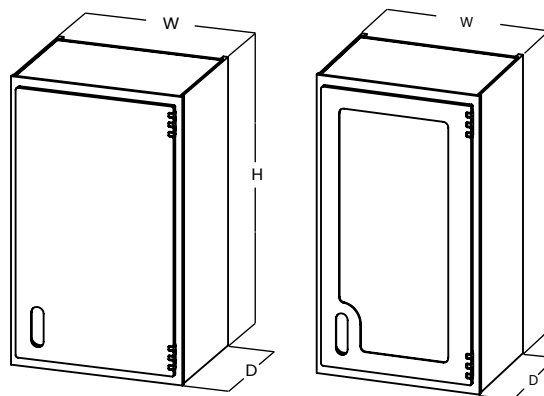
Part #	Description	Dimensions WHD
53694	Cabinet Base Sink Single Width White Polypropylene One Right Hand Door	18" X 35" X 22"
53655	Cabinet Base Sink Double Width White Polypropylene Two Doors	48" X 35" X 22"
53697	Cabinet Base Sink Double Width White Polypropylene Two Doors	60" X 35" X 22"
53695	Cabinet Base Sink Double Width White Polypropylene Two Doors	30" X 35" X 22"
53696	Cabinet Base Sink Double Width White Polypropylene Two Doors	36" X 35" X 22"





# Wall Mounting Cabinets

LabFit's Wall Mounting Cabinets feature adjustable shelving and optional glass viewing windows. All wall cabinets utilize a French cleat system for a low-profile and simple to install wall mount.



## Standard Doors

Part #	Description	Dimensions WHD
53656	Cabinet Wall Single Width White Polypropylene Right Hand Door	18" X 30" X 13"
53657	Cabinet Wall Single Width White Polypropylene Left Hand Door	18" X 30" X 13"
53662	Cabinet Wall Single Width White Polypropylene Right Hand Door	24" X 30" X 13"
53703	Cabinet Wall Double Width White Polypropylene Double Door	30" X 30" X 13"
53704	Cabinet Wall Double Width White Polypropylene Double Door	36" X 30" X 13"
53661	Cabinet Wall Double Width White Polypropylene Two Doors	48" X 30" X 13"

## With Glass Windows

Part #	Description	Dimensions WHD
53699	Cabinet Wall Single Width White Polypropylene One Left Door with Glass	24" X 30" X 13"
53698	Cabinet Wall Single Width White Polypropylene One Right Door with Glass	24" X 30" X 13"
53700	Cabinet Wall Double Width White Polypropylene Double Door with Glass	30" X 30" X 13"
53701	Cabinet Wall Double Width White Polypropylene Double Door with Glass	36" X 30" X 13"
53702	Cabinet Wall Double Width White Polypropylene Double Door with Glass	46" X 30" X 13"





**1.800.874.7768**  
**[www.TrippNT.com](http://www.TrippNT.com)**

***10991 N Airworld Drive,  
Kansas City, MO 64153***

 **Improve Today for  
a Better Tomorrow**