



Patent Pending

- Utilize out of reach supplies
- Maximize vertical storage space
- Chemical and corrosion resistant
- 5 pound weight capacity
- 100% Total Replacement Lifetime Guarantee



Triple Angled Shelf

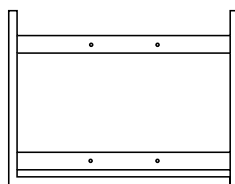


Adjustable Bin

|           | Triple Angled Shelf<br>12" Height x 8 3/4" Depth | Adjustable Bin<br>11 7/8" Height x 7 1/4" Depth |
|-----------|--|---|
| 10" Width | 53315  | 53317   |
| 12" Width | 52999  | 53310   |
| 14" Width | 53316  | 53318   |

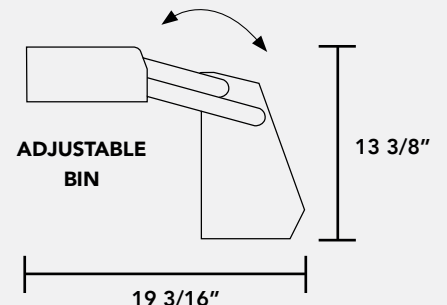
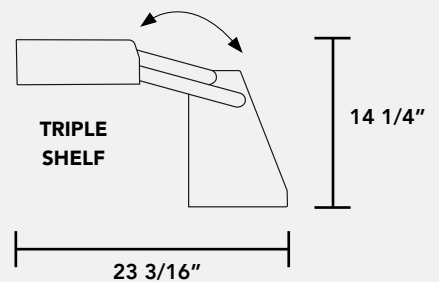
## Easy Installation

- Installs with 4 screws
- Cabinet or Shelf



Top Down View

## SPECIFICATIONS



## Need a different size?

Contact us for a custom quote!